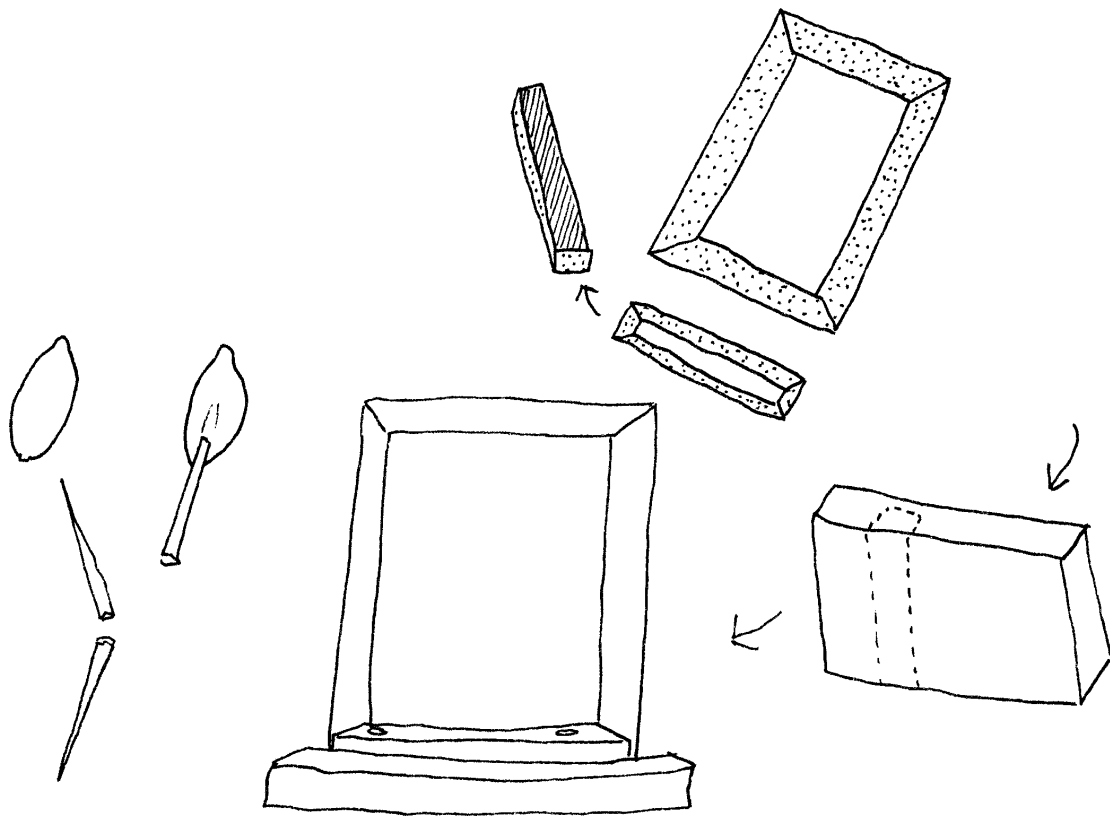


# The Official Pumpkin House Construction Manual from The Bureau of Common Sense



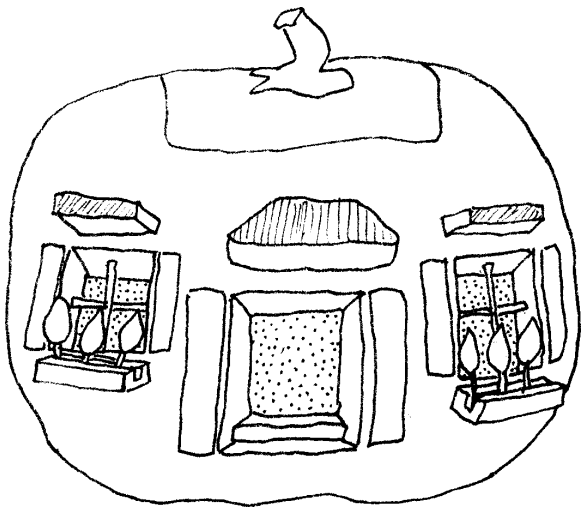
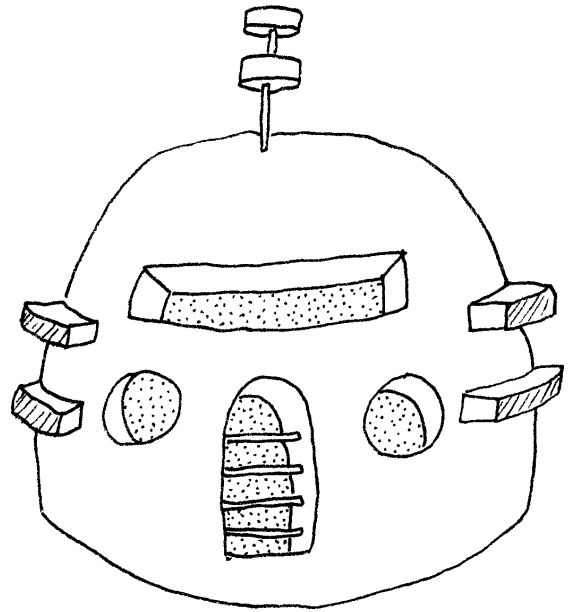
The Bureau  
of Common Sense  
[mgeneric@aol.com](mailto:mgeneric@aol.com)  
First edition - 1989  
E-distribution - 2007

# Sample Houses

Here are a few samples to give you an idea of the possibilities and get you motivated.

## Hi-tech Hideaway

Half of this large pumpkin forms this hi-tech dome with barred door, circular windows and slotted skylight. Side ledges have been formed from other half of discarded pumpkin. Antenna uses two toothpicks and plugs obtained from window holes. This forward thinking habitat is earthquake safe.

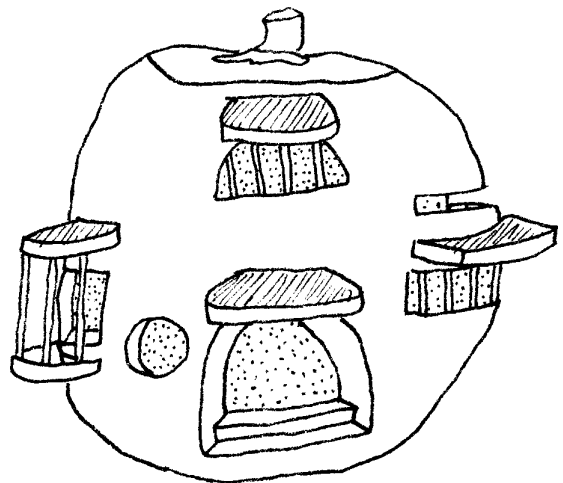


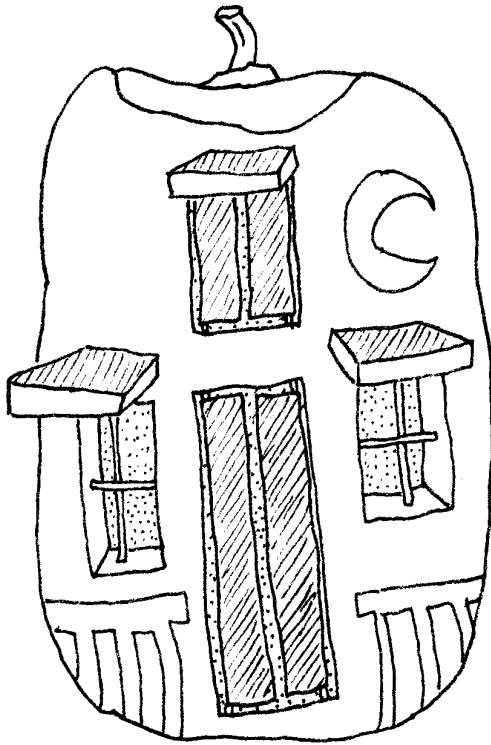
## Cape Cod Cottage

A wide door with steps, window and door overhangs, window boxes with pumpkin seed flowers. Embellishments include shallow white relief shutters and side door panels.

## Santa Fe Bungalow

Arched door with steps, arched upstairs window, window bars, side balcony, second-story slit skylight for star viewing from the bedroom.





## Haunted House

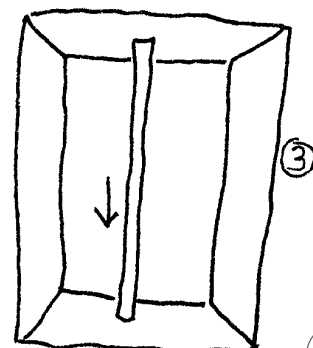
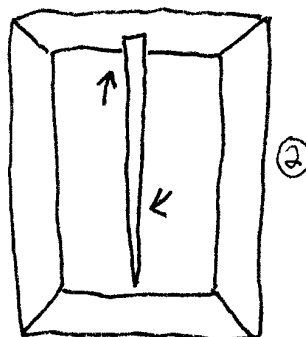
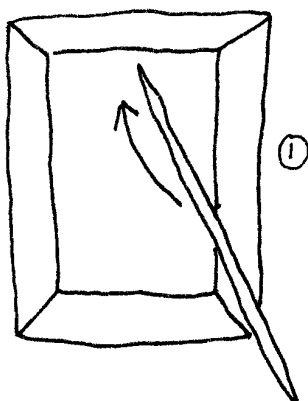
Overhanging window ledges, swinging shutters on upstairs window, doors that open and close at entrance. Embellishments include crescent moon and picket fence carved in shallow white relief.

## Simple How-to Tips

While these houses are sure to wow trickier treaters and win pumpkin carving contests, they're amazingly simple to make—as easy or easier than a jack-o'-lantern.

### A. Window Bars

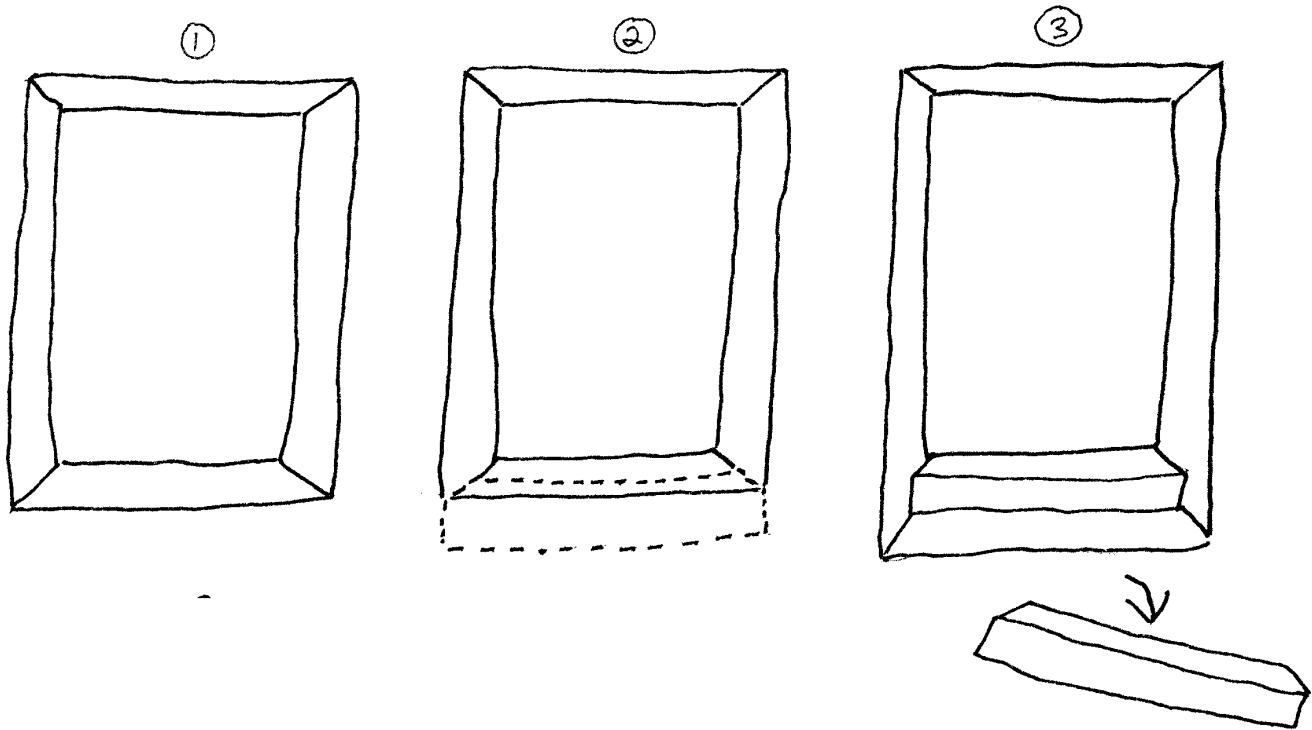
With toothpicks you can create cross-window bars, balcony railings, parallel bars, etc. If you plan to use bars, don't make the size of the opening bigger than a toothpick. If your opening is a lot smaller than a toothpick, simply snap one end of the toothpick off to fit.



dos

## B. Steps

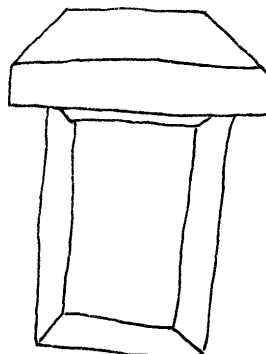
Cut door opening as shown. Score and cut along dotted lines. Remove oblong piece. Voila—you have steps!

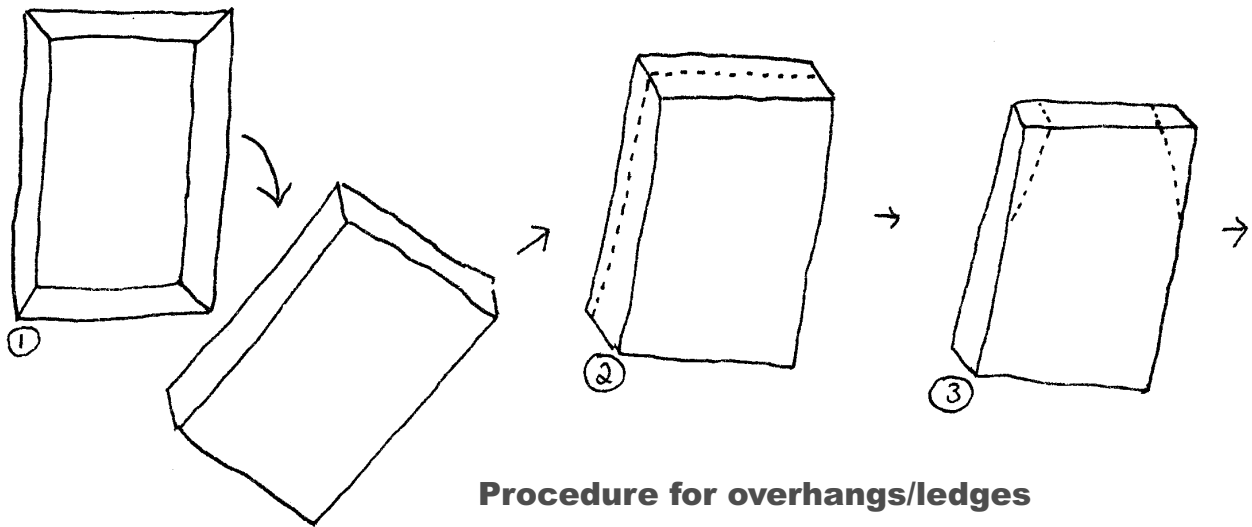


## C. Overhangs/Ledges

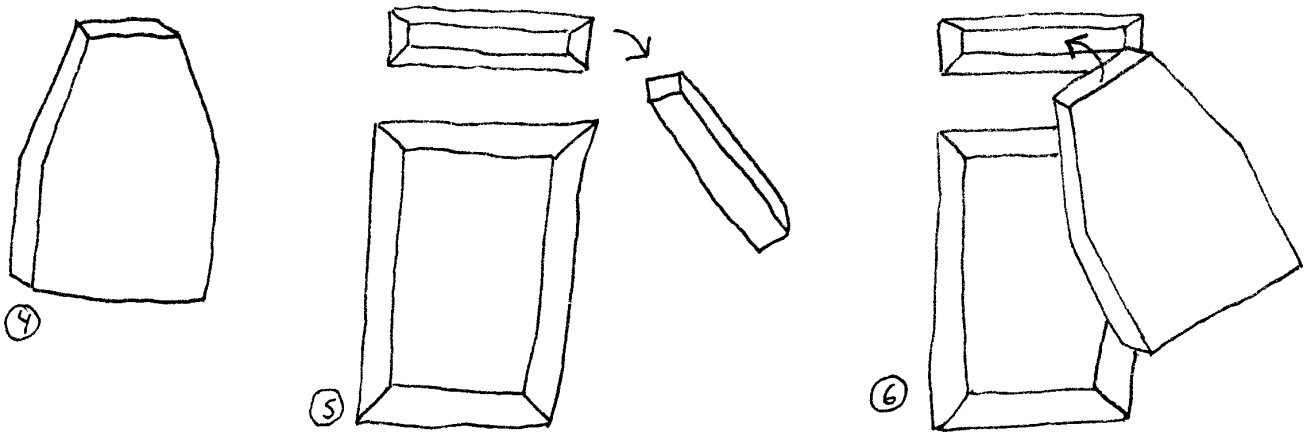
After cutting window or door, cut a horizontal slot above that is slightly smaller than width of door or window. Save pieces cut from doors and windows. Trim as shown (wait to trim until you've made the slot you're going to use, so you can judge the size accurately). Jam trimmed pumpkin piece in place. Do not make the fit too loose as pieces shrink when pumpkin ages. With tight fit, you can just keep shoving it in a little more securely as the pumpkin shrinks.

Note that you can cut piece in half horizontally if you want to make two ledges on top and bottom. Connect them with toothpicks to make a balcony or use bottom ledge for window box.

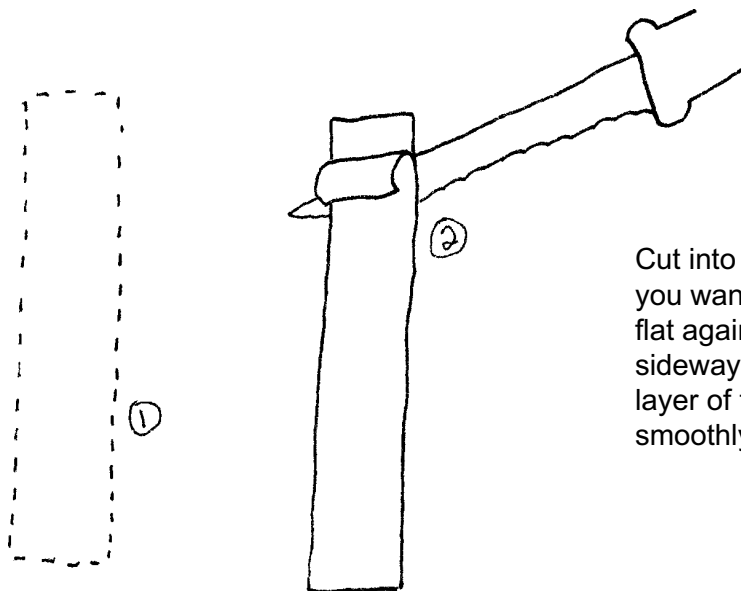




**Procedure for overhangs/ledges**

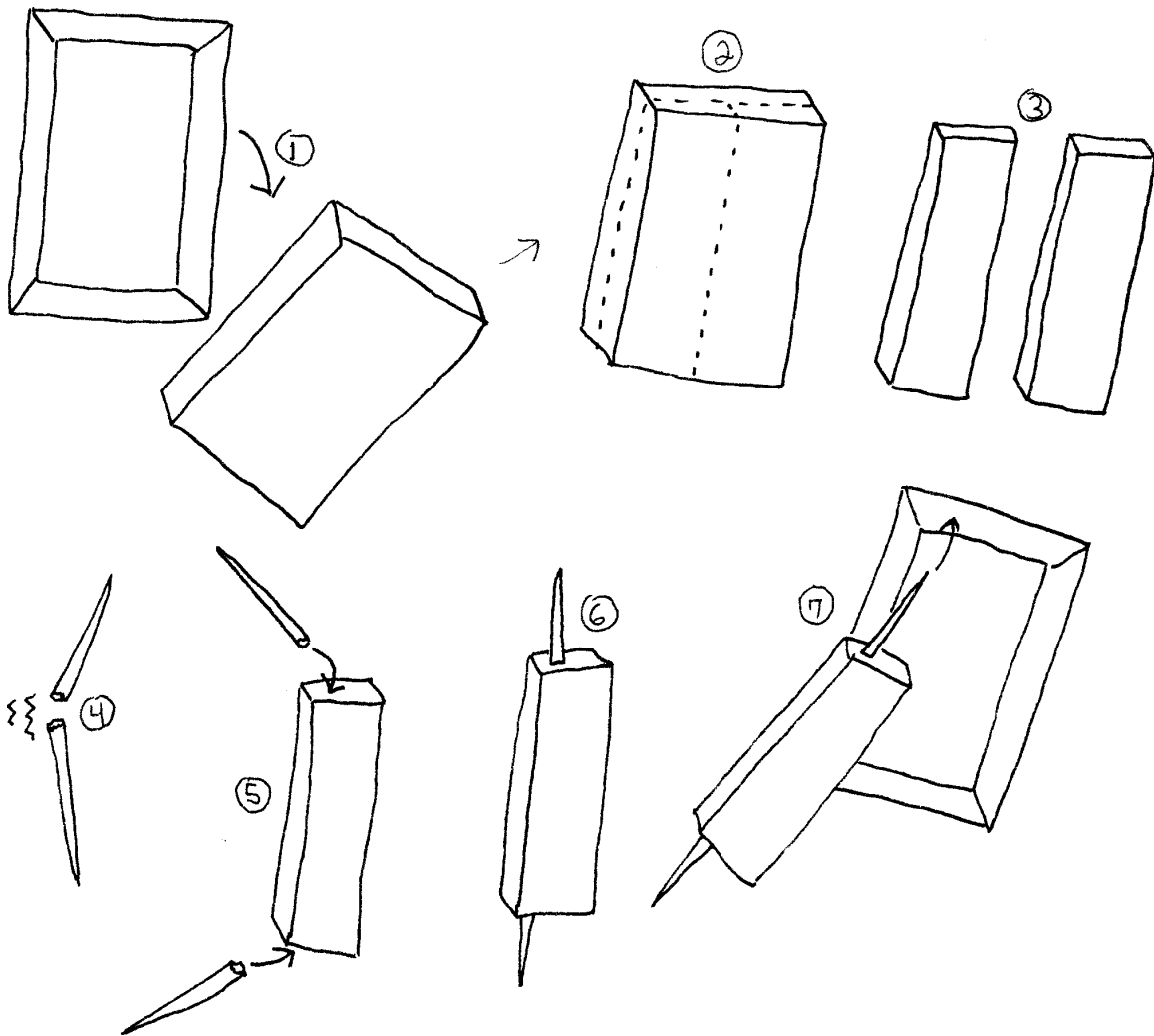


## D. White Relief Trim

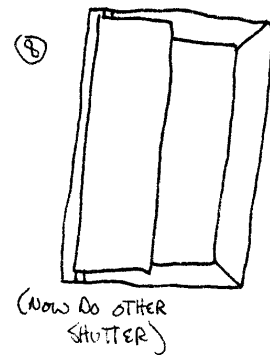


Cut into pumpkin about 1/8 " to outline area you want in white relief. Then, holding knife flat against the pumpkin, insert tip of knife sideways under skin. Work off the top orange layer of the pumpkin. This doesn't always go smoothly, but it does go.

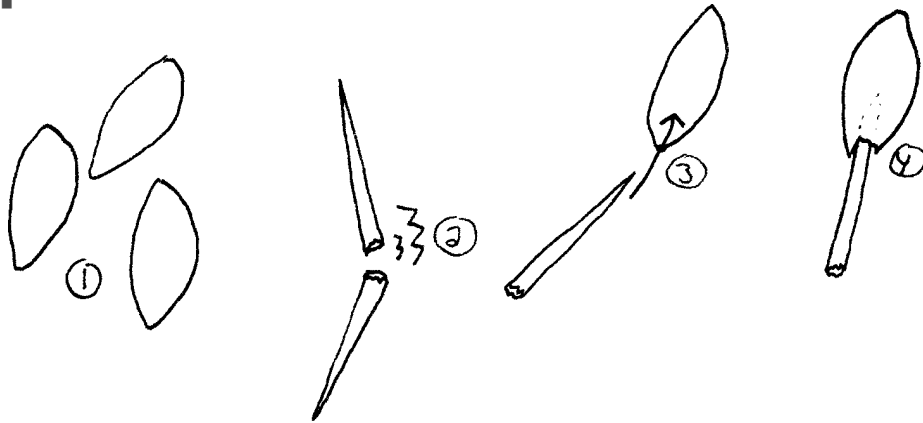
## E. Shutters, Doors



Save slab from window or door hole. Trim thickness of slab. Cut in half. Break toothpick and jam one end in top of slab piece, one end in bottom. (It is tempting, with a small window, to use one toothpick jammed all the way through the shutter. This can make the shutter too inflexible to fit in the window.) Fit shutter in place using window bar technique shown in step A.



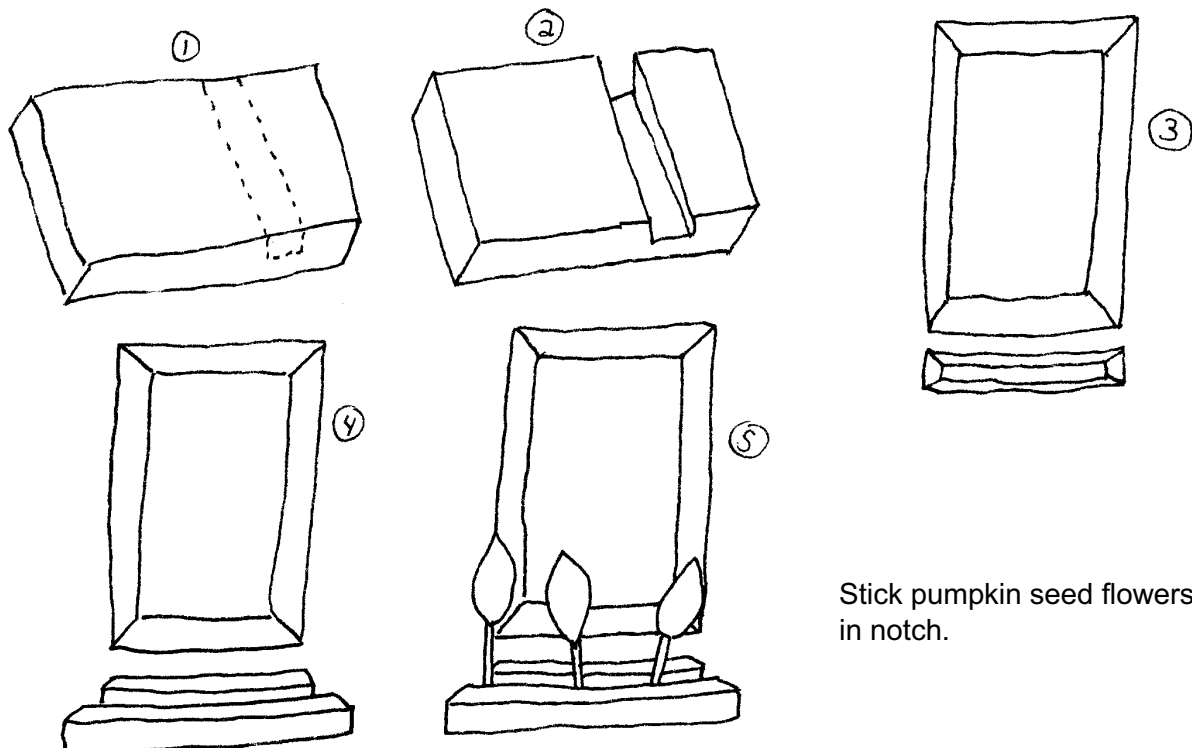
## F. Pumpkin Seed Flowers



Fresh out of the pumpkin, pumpkin seeds are soft. Snap a toothpick in two, shove pointed end up into one side of pumpkin seeds and you've got a flower. Depending on your imagination and your house design, these could become something other than flowers.

## G. Flower Box

From trimmed slab of pumpkin, cut notch to form "box" part of flower box. Shove into slot under window.



Stick pumpkin seed flowers in notch.